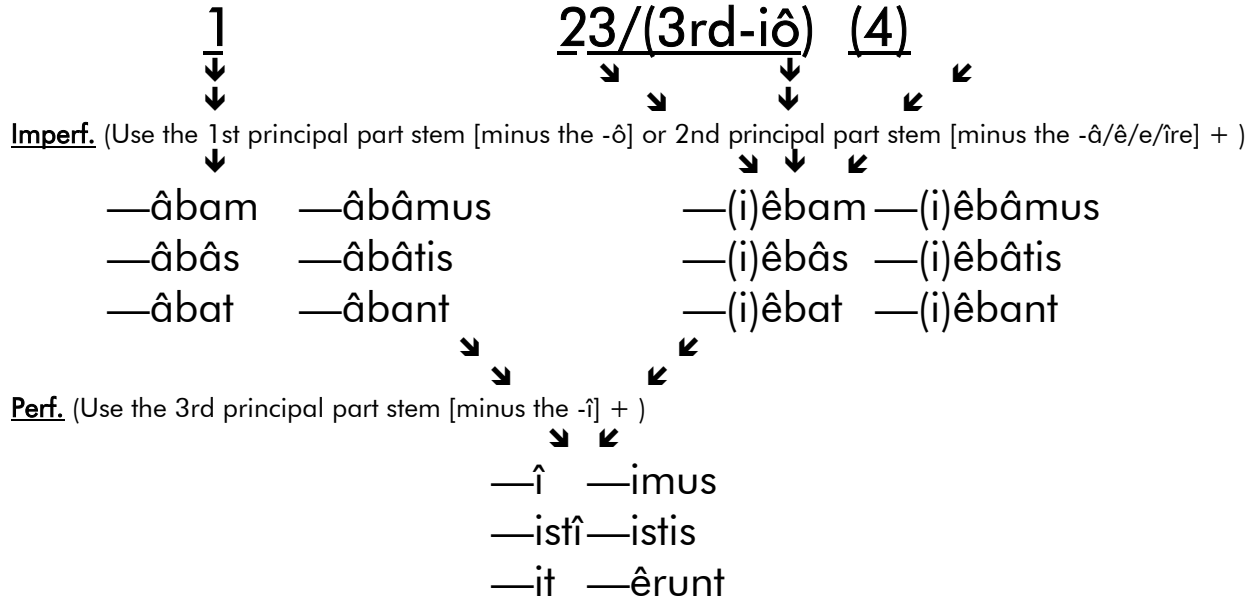


Name:

## Summary of Imperfect and Perfect Tenses



### Sample Translations of Imperfect and Perfect

circumspectâbam	I was looking around, I kept looking around, I used to look around, I started looking around
circumspectâvî	I did look around, I have looked around, I looked around
tenêbâmus	we were holding, we kept holding, we used to hold, they started holding
tenuimus	we did hold, we have held, we held
contendêbant	they were hurrying, they kept hurrying, they used to hurry, they started hurrying
contendêrunt	they did hurry, they have hurried, they hurried

### First Conjugation Verbs

• administrô	adminstrâre	administrâvî	administrâtus
• agitô	agitâre	agitâvî	agitâtus
• <b>dô</b>	<b>dare</b>	<b>dedî</b>	<b>datus</b>
• excitô	excitâre	excitâvî	excitâtus
• festîno	festînâre	festînâvî	festînâtus
• habitô	habitâre	habitâvî	habitâtus
• incitô	incitâre	incitâvî	incitâtus
• invîtô	invîtâre	invîtâvî	invîtâtus
• lacrimô	lacrimâre	lacrimâvî	lacrimâtus
• liberô	liberâre	liberâvî	liberâtus
• nârro	nârre	nârrovî	nârâtus
• necô	necâre	necâvî	necâtus
• parô	parâre	parâvî	parâtus

### First Conjugation (continued)

• postulô	postulâre	postulâvî	postulâtus
• pugnô	pugnâre	pugnâvî	pugnâtus
• rogô	rogâre	rogâvî	rogâtus
• superô	superâre	superâvî	superâtus

### Second Conjugation Verbs

• iaceô	iacêre	iacuî	-----
• maneô	manêre	mânsî	mânsus
• timeô	timêre	timuî	-----

### Third Conjugation Verbs

• contendô	contendere	contendî	contentus
• dîcô	dicere	dîxi	dictus
• plaudô	plaudere	plausî	plausus
• ruô	ruere	ruî	ruâtus

### Third-iô Conjugation Verbs

• faciô	facere	fêcî	factus
---------	--------	------	--------

### Fourth Conjugation Verbs

• custôdiô	custôdîre	custôdîvî	custôdîtus
• vâgiô	vâgîre	vâgîvî	vâgîtus